



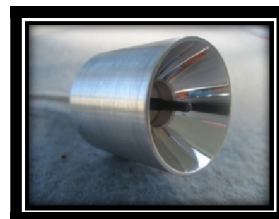
Hawkeye Technologies, LLC
Your **Source** for **Infrared**

www.hawkeyetechnologies.com

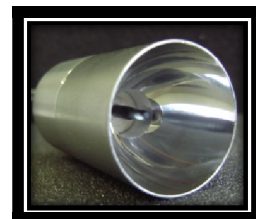
181 Research Drive, #8
Milford, CT 06460
Phone: 203-878-6892
Fax: 203-878-7462

Infrared Source IR-18/19 Series

- Silicon Nitride Emitter mounted in an IR-18 Parabolic Reflector or an IR-19 Elliptical Reflector
- Robust and Efficient
- 1150°C High Output Design



IR-18



IR-19

The IR-18/19 Series is designed for those customers who require higher temperatures and greater output from their infrared source. These emitters are manufactured using a patented silicon nitride material. The advanced ceramic technology ensures a very stable product. Their robust design ensures intrinsic physical and thermal strength. When operated at 12 volts/18 watts the IR-18/19 reaches 1150°C.

The IR-18 emitters are mounted in a 1 inch parabolic reflector for extremely efficient collimation of energy. The IR-19 emitters are mounted in a 1 inch elliptical reflector with an external focal point that is 1/2 inch in front of the clear aperture.

Typical Operating Parameters

	IR-18/19
Voltage	12.0 Volts (AC or DC)
Temp	1150° C
Current	1.5 Amperes
Power	18.0 watts
Emissivity	0.75
Radiating Area	1.5 mm dia. x 4.1 mm length
Lifetime	5000+ hours at 12 Volts

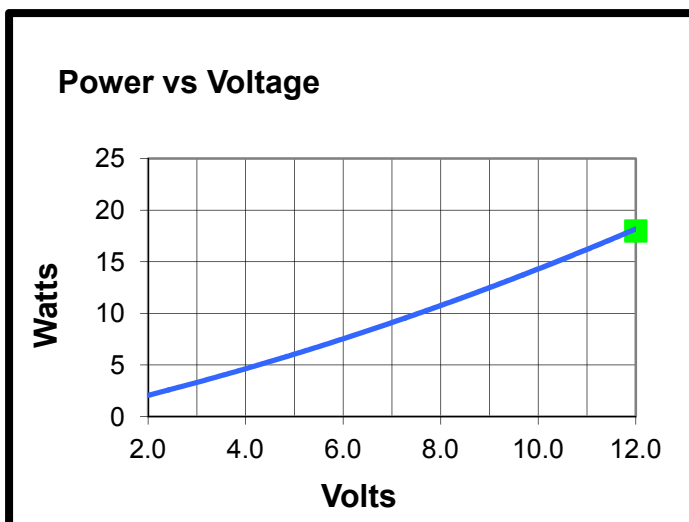
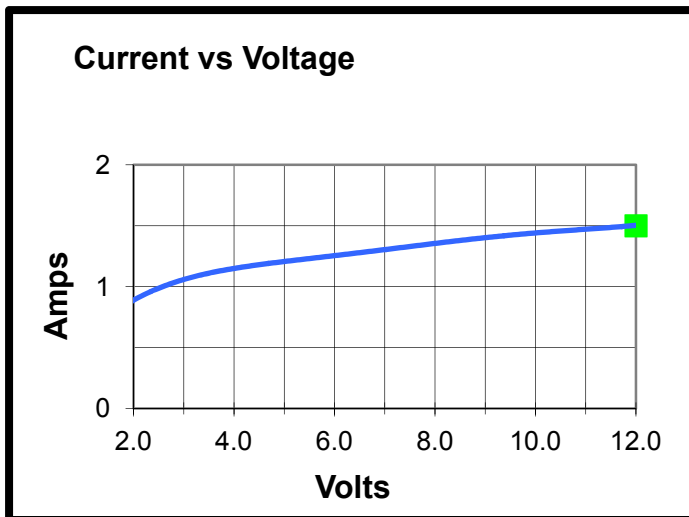
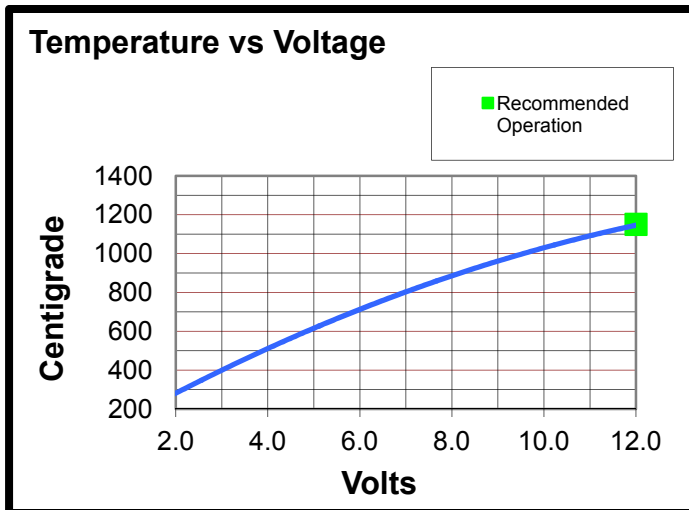


Hawkeye Technologies, LLC
Your **Source** for **Infrared**

www.hawkeyetechnologies.com

181 Research Drive, #8
Milford, CT 06460
Phone: 203-878-6892
Fax: 203-878-7462

Hawkeye IR-18/19 Engineering Data Charts

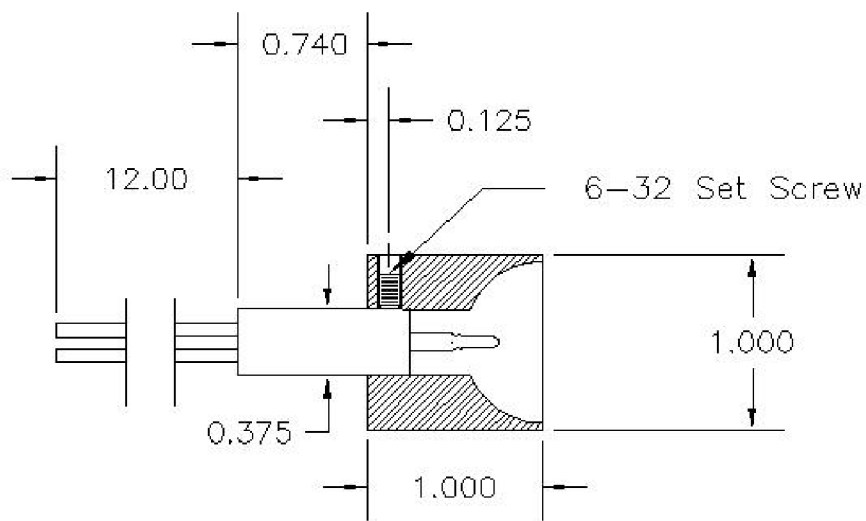




HawkEye Technologies, LLC
Your **Source** for **Infrared**

www.hawkeyetechnologies.com

181 Research Drive, #8
Milford, CT 06460
Phone: 203-878-6892
Fax: 203-878-7462



IR-18 Emitter

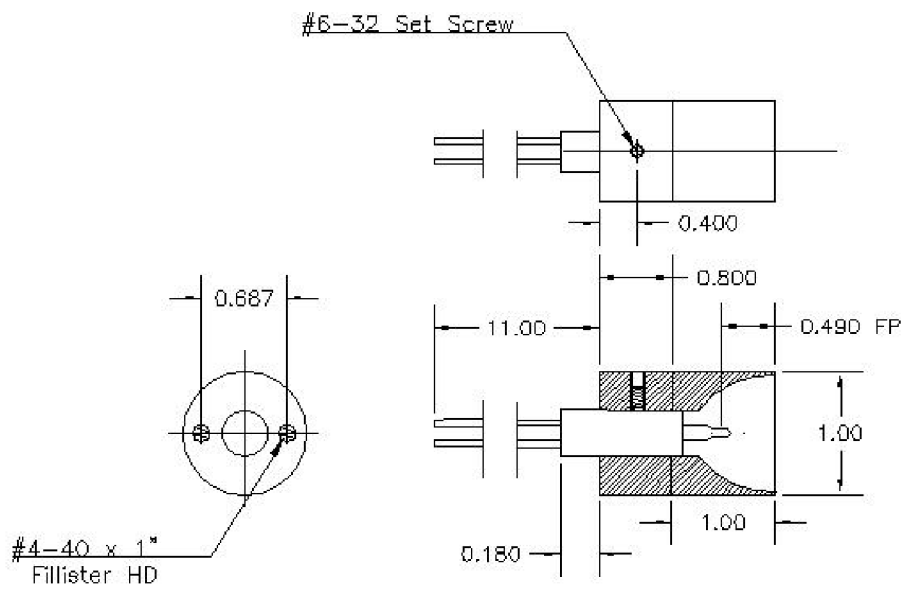
Note: all dimensions in inches



Hawkeye Technologies, LLC
Your **Source** for **Infrared**

www.hawkeyetechnologies.com

181 Research Drive, #8
Milford, CT 06460
Phone: 203-878-6892
Fax: 203-878-7462



IR-19 Emitter

Note: all dimensions in inches